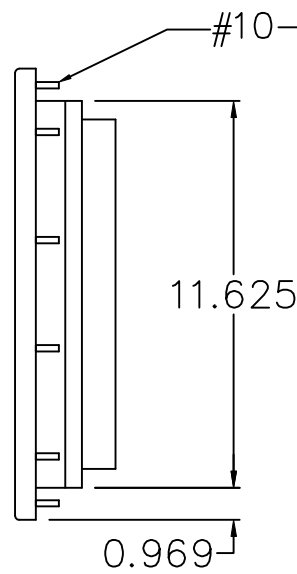
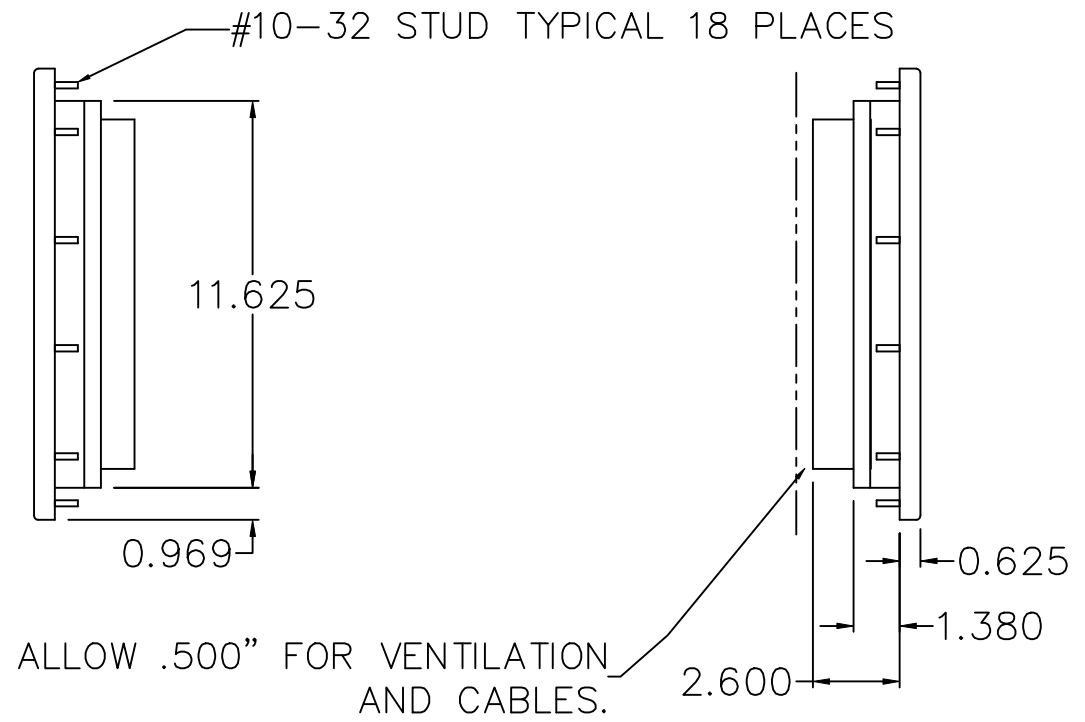


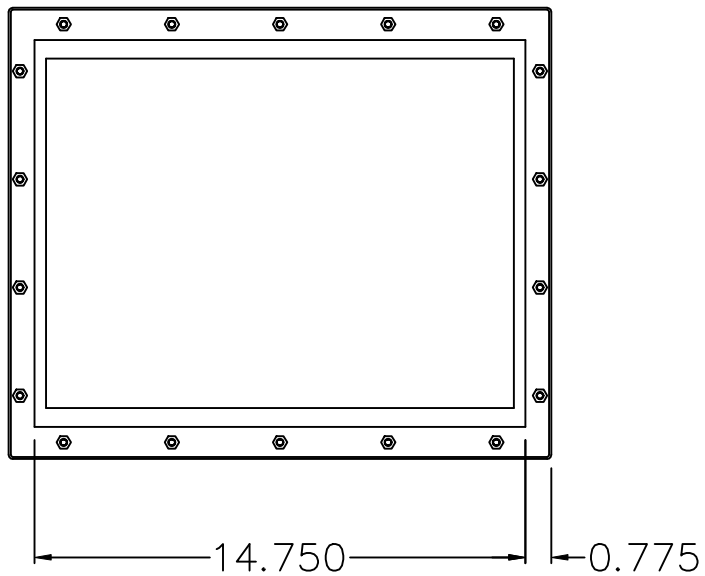
RIGHT SIDE



LEFT SIDE



REAR



15.0" PANEL MOUNT MONITOR

