

Painted Steel Enclosures



Single Door with Quarter Turn

Order
Panel
Separately



Application

- Designed to enclose electrical and/or electronic equipment and protect against harsh, industrial environments for wallmount applications.
- Impressive styling features like hidden hinges, attractive latching systems make the Eclipse a suitable addition to any high-tech equipment installation.
- A wide range of sizes and practical accessories make this product line a complete package.
- For high temperature applications, a gasket retainer may be required, please refer to factory.

Standards

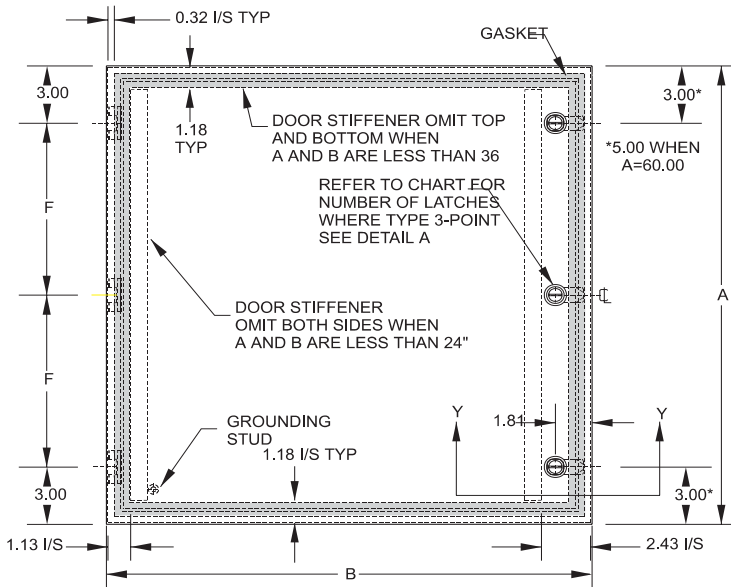
- UL 508 Type 3R, 4, 12 and 13
- CSA Type 3R, 4, 12 and 13
- **Complies with**
 - NEMA Type 3R, 4, 12 and 13
 - IEC 529, IP65

Construction

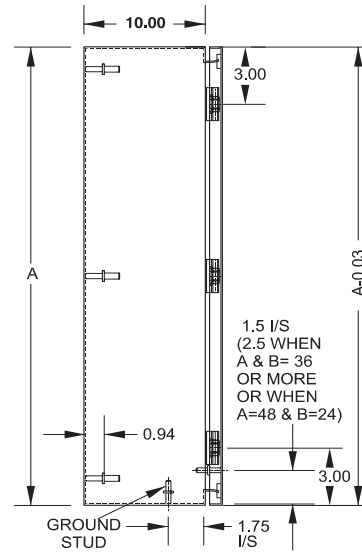
- Formed 14 or 16 gauge steel.
- Smooth, continuously welded seams ground smooth.
- Door stiffeners are provided where required for increased strength and rigidity - designed to also permit additional mounting options.
- Formed lip on enclosure to exclude flowing liquids and contaminants.
- Door latches feature the added safety of quarter turn slot requiring use of tool for opening.
- Doors may be easily removed for modifications and are interchangeable.
- Oil resistant gaskets are permanently secured.
- Collar studs provided for mounting inner panel.
- Includes hardware kit with panel mounting nuts and sealing washers for wall mounting holes.
- Bonding stud provided on door and grounding stud installed in enclosure.
- Hinges are constructed from 304 stainless steel.
- Hinge pins are stainless steel.
- Quarter turn latches formed from mild steel diecast key lockable handle with black epoxy finish on 3 point latch.

- Cover and enclosure are finished in recoatable smooth ANSI/ASA 61 gray powder coating.

DIMENSION DRAWINGS FOR PAINTED ENCLOSURES

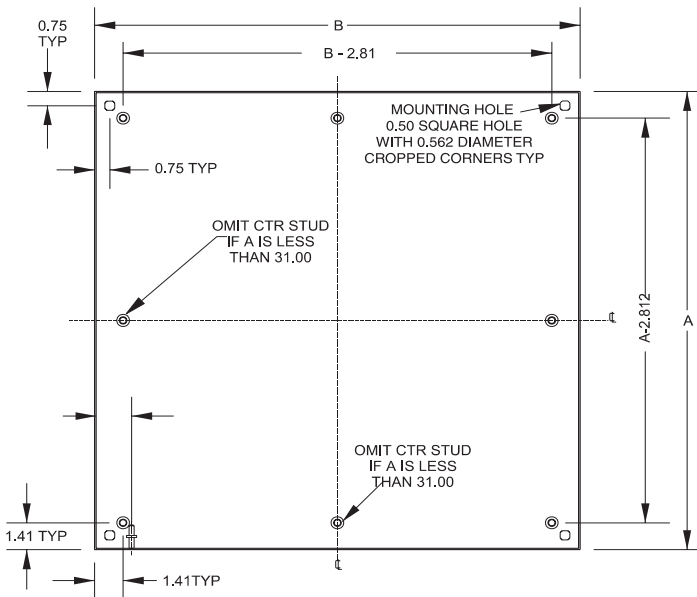


Front View



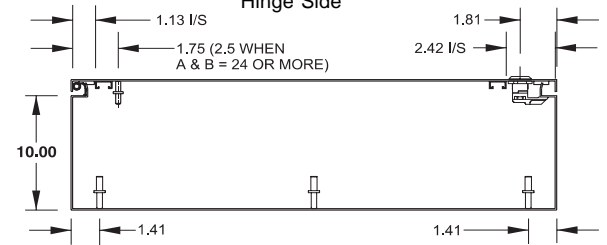
Side View

Hinge Side

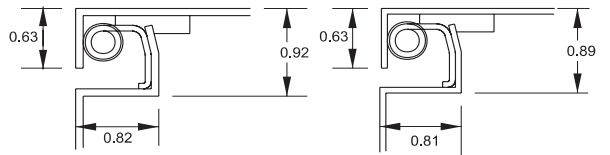


Front Section

(Door and Body Flange removed)

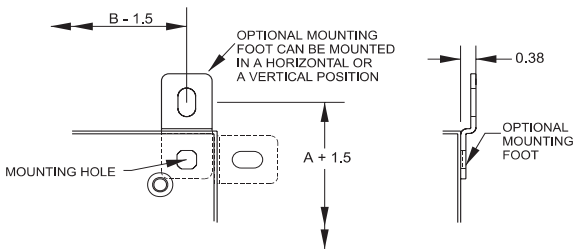


End View



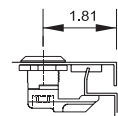
Cross Section of 14 Gauge Body & Door

Cross Section of 16 Gauge Body & Door

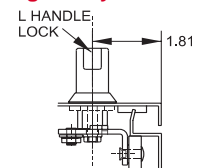


Mounting Detail

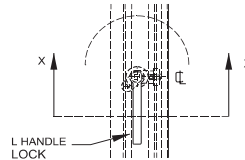
Door & Body Flange Removed



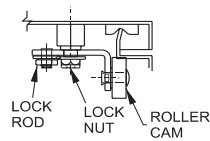
Quarter Turn Lock Section Y-Y



L Handle Lock Section X-X



Detail A



Cross Section Through End View

Door Cam Typ 2 pls when L handle is used

Type	DIMENSION			Door Gauge	Latches		Panel Size		# Hinges	F	Ship Wt. Lbs.
	A	B	C		Qty	Type	D	E			
20x20x8	20	20	8	16	1	Qtr. Turn	18.2	18.2	2	14	28
24x24x12	24	24	12	14	2	Qtr. Turn	22.2	22.2	2	18	47